

PROCENTEC



ComBricks

PROFIBUS PA Link/Coupler

The transparent PROFIBUS PA link/coupler allows seamless high-speed integration to PROFIBUS PA. The combined internal ProfiTrace and oscilloscope make this product extremely useful for remote maintenance over Ethernet. It allows technicians to optimal maintenance a PROFIBUS installation, so that downtime can be avoided.

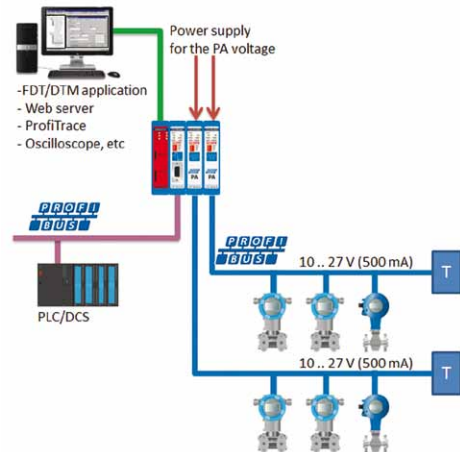
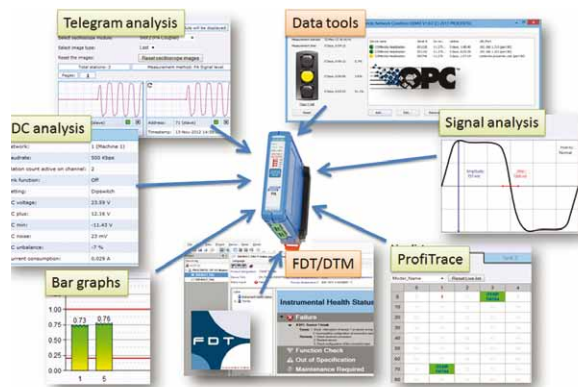
The most advanced PROFIBUS PA Link / Coupler powers the attached PA devices and fully emulates them as DP devices on the backplane. Adjusted busparameters are not required and therefore suitable for all DCS and PLC systems, even running on 12 Mbps. Jitter, noise, DC current, DC voltage, bar graph and oscilloscope, it is all there and easy to access. The free CommDTM allows access for asset management tools over Ethernet.

It does not require configuration and operates the same way as regular ComBricks repeaters. The behavior on the PA side can be set in the web server, like retries (default 5) and the watchdog (default 3 seconds). This product can directly replace third party Non-Ex PA couplers/links and can be used as a monitor behind existing third party Non-Ex PA couplers.





Applications



Product features

PROFIBUS DP (on the backplane)

- 9.6 .. 12 Mbps
- Fully transparent
- No address and adjusted busparameters required

PROFIBUS PA

- 10 .. 27 VDC customizable PA trunk voltage (Non-Ex)
- 500 mA trunk current
- 10 mA current consumption (in all modes)
- 32 devices (depends on current consumption)
- 31.25 kbps PA signal
- 1900 m cable length (depends on trunk current)
- PA termination automatic (ON in coupler mode)

PROFIBUS PA connectors

- 2 Removable PA screw terminals (1-on-1)
- 1 Removable power connector (11 .. 28 VDC)
- < 2.5 mm² wire diameter (stranded or solid core)

Web server

- Oscilloscope images of connected devices
- Last, Min, Max bus signals
- Bar graph of connected devices
- DC current of the trunk and signal jitter
- Email on telegram errors and low bus signals
- Retry and Watchdog settings

Backplane

- 4 Networks selectable with switches
- Coupler mode: 9 modules (positioned in the first 10 slots)
- Monitoring mode: 4 modules (positioned in the first 10 slots)
- 350 mA current consumption

