

PROCENTEC



ComBricks

PROFINET module PND001

The ComBricks PROFINET module has considerable added value for the installation. This module allows the largest multiple cross gateways between other PROFINET and PROFIBUS modules which are placed in the backplane. It is the best available device that can establish communication between multiple PROFINET and PROFIBUS controllers that manage their own specific network.

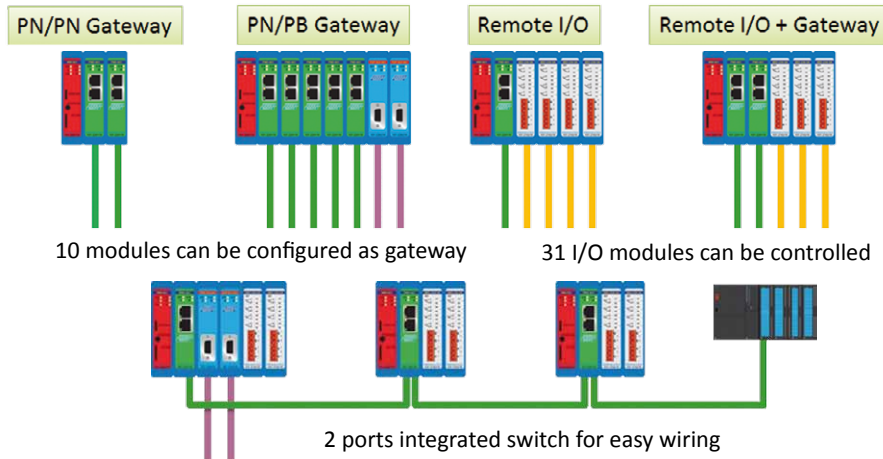
The PROFINET module has a very powerful functionality: simultaneously, the PLC/DCS system that has the PROFINET Device in Data Exchange can access inserted I/O modules. The gateway works the same way as regular DP/DP and PN/DP couplers. The data area between the modules is customized with the help of some pre-defined blocks from the GSD files. Simultaneously, the PLC/DCS system that has the PROFINET Device in Data Exchange can access inserted I/O modules.

ComBricks has the advantage that ten PROFINET / PROFIBUS modules can exchange information. The configuration steps are the same as any other PROFINET device. By means of the GSD file the respective I/O modules have to be selected in the configuration tool, after which the PLC can make the I/Os available for the software application and the network.





Applications



Product features

PROFINET

- Version 2.25 - Conformance class B
- Certification number: ZZ10500
- Ident Number: 0x4000 - 0x0001
- 1 ms Cyclic time at 128 I/O bytes
- 1024 Bytes input and 1024 bytes output (204 Bytes per module)
- DeviceName by DCP or hardware rotary switch

Ethernet

- 10/100 Mbps (100BaseTX, 10BaseT)
- Supported protocols: RT_CLASS_1, RTA, UDP, DCP, ARP, LLDP, SNMP (MIB II)

Connectors and cabling

- 2 Ports switch (RJ 45)
- 100 m cable length per switch port
- Auto detect, Auto cross-over, Auto polarity

Backplane

- Not connected to the PB networks
- 10 Modules (positioned in the first 10 slots)
- 410 mA current consumption

