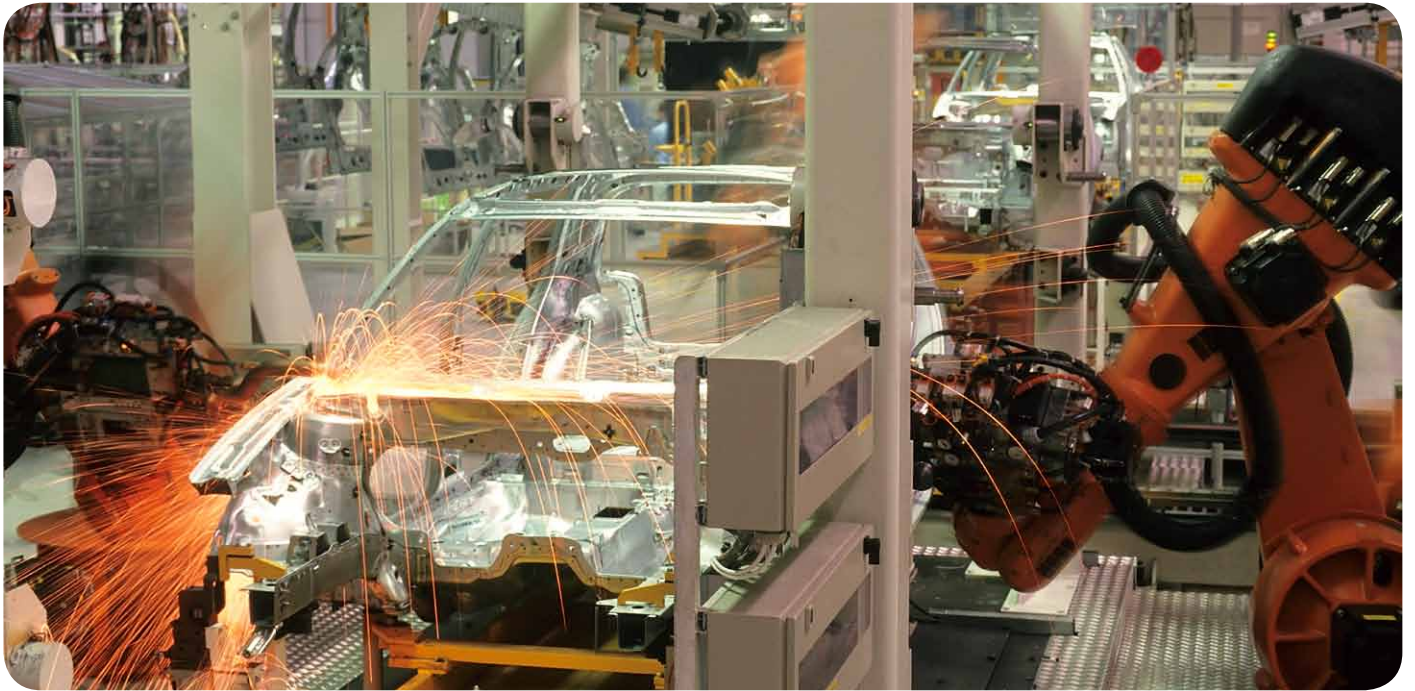


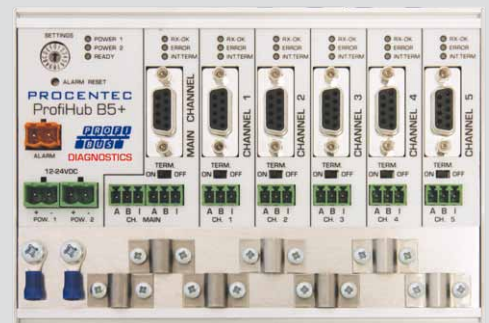
PROCENTEC



ProfiHub B5+RD

5 Channel PROFIBUS Hub with Integrated Diagnostics Device

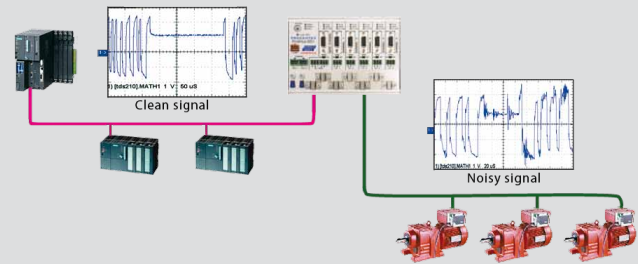
The ProfiHub B5+RD is an easy and robust network component to design reliable, flexible and object oriented networks. It is the first ProfiHub that comes with a built-in PROFIBUS DP slave to forward diagnostic data to a PLC. With this unique function the ProfiHub B5+RD is able to optimally monitor PROFIBUS DP installations. As a result, technical engineers can effectively detect PROFIBUS disruptions and find solutions more promptly. This is how maximum uptime for end users and the lowest possible costs for organisations are guaranteed



Engineers can access detailed diagnostic information about communication failures and current details of retries. Diagnostic information about redundancy of the PROFIBUS channels and supply status can be identified using this unique function. The ProfiHub B5+RD generates a live list of all PROFIBUS devices connected. When configuring an alarm contact, technical engineers are warned immediately in case of disruptions inside the PROFIBUS DP installations. As a result, a reliable PROFIBUS network is born

Application areas

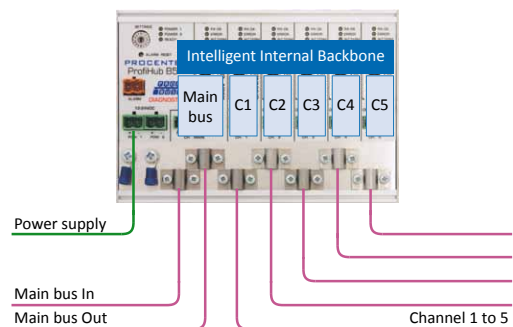
- Dynamic spur lines to devices
- Star, tree and bus structured networks
- Removable drivers and motors
- Pull/Plug motor control centers
- Roof mounted devices in tank farms
- Barrier for non galvanic isolated equipment
- Networks with requirement for high availability



Example of the barrier function of the ProfiHub. Noise and EMC disturbances will not affect the backbone or the other channels.

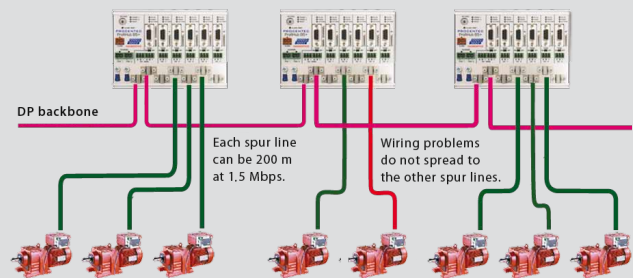
DP slave features

- Ident Number: 6970
- Software addressing (0 - 126)
- 32 Bytes diagnostic data
- Maximum 85 bytes input / Maximum 5 bytes output (90 bytes total)
- Multiple modules containing diagnostic information:
 - Live List
 - Statistics
 - Power status
 - Redundant status
 - Termination status



Product features

- 5 Galvanic isolated repeater channels
- Advanced diagnostic capabilities
- Transparent for all PROFIBUS DP protocols
- Suitable for PROFI-safe and MPI
- 31 Devices per channel
- Max. 1200 m spur line length (depends on baudrate)
- 9.6 Kbps – 12 Mbps
- Screw terminals and DB9 connectors
- Configurable grounding system
- No address required
- Integrated termination facilities
- IP 20 classification



Example of dynamic spur lines to instruments. The devices can be added and removed during operation.

